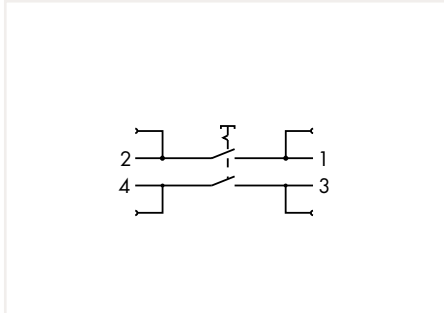
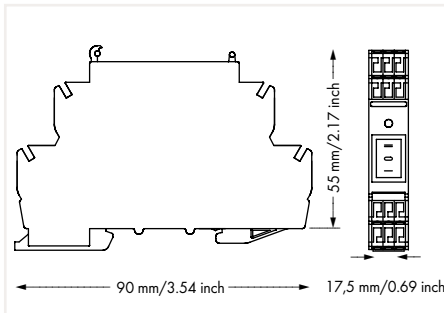


Switching Module 789 Series



Switching Module; with 2-pole off switch;
Switching voltage: 250 VAC; Switching current: 16 A

Item No.	Pack. Unit
789-802	1



Electrical Data

Switching voltage (max.)	≤ 250 VAC
Switching current (resistive) max.	16 A
Inrush current (max.)	100 A (capacitive)
Contact material	Ag alloy
Contact gap	≥ 3 mm
Contact resistance	≤ 100 mΩ (12 V / 1 ADC, new condition)
Insulation resistance	> 100 MΩ (500 VDC, new condition)
Electrical life (NO; resistive load; 23 °C)	10 x 10 ³ switching operations
Mechanical life	50 x 10 ³ switching operations

Safety and Protection

Pollution degree	2
Rated voltage	250 V
Rated surge voltage	4 kV
Dielectric strength, open contact (AC, 1 min)	1.25 kV _{rms}

Connection Data

Connection technology	CAGE CLAMP®
Solid conductor	0.08 ... 2.5 mm ² / 28 ... 14 AWG
Fine-stranded conductor	0.08 ... 2.5 mm ² / 28 ... 14 AWG
Strip Length	9 ... 10 mm / 0.35 ... 0.39 inch

Physical Data

Width	17.5 mm / 0.689 inch
Height from upper-edge of DIN-rail	55 mm / 2.165 inch
Depth	90 mm / 3.543 inch

Mechanical Data

Mounting type	DIN-35 rail
---------------	-------------

Material Data

Weight	44.1 g
--------	--------

Environmental Requirements

Surrounding air temperature (operation)	-20 ... +55 °C
Surrounding air temperature (storage)	-40 ... +80 °C